

# 18KPV External RSD Initiator Installation Instructions



## Safety Instructions

International safety regulations have been strictly observed in the design and testing of the inverter. Before beginning any work, carefully read all safety instructions, and always observe them when working on or with the inverter. The installation must follow all applicable national or local standards and regulations.

### Incorrect installation may cause:

- *injury or death to the installer, operator or third party*
- *damage to the inverter or other attached equipment*

## Important Safety Notifications

There are various safety concerns that must be carefully observed before, during, and after the installation, as well as during future operation and maintenance. The following are important safety notifications for the installer and any end users of this product under normal operating conditions.



### Dangers of High Voltages and Large Current

1. **Beware of high PV voltage.** Please install an external DC disconnect switch or breaker and ensure it is in the “off” or “open” position before installing or working on the inverter. Use a voltmeter to confirm there is no voltage present to avoid electric shock.
2. **Beware of high grid voltage.** Please ensure the AC switch and/or AC breaker are in the “off” or “open” position before installing or working on the inverter. Use a voltmeter to confirm there is no voltage present to avoid electric shock.
3. **Beware of high battery current.** Please ensure that the battery module breakers and/or on/off switches are in the “open” or “off” position before installing or working on the inverter. Use a voltmeter to confirm there is no voltage present to avoid electric shock.
4. **Do not open the inverter while it is operating** to avoid electric shock and damage from live voltage and current within the system.
5. **Do not make any connections or disconnections (PV, battery, grid, communication, etc.) while the inverter is operating.**
  6. An installer should make sure to be well protected by reasonable and professional insulative equipment [e.g., personal protective equipment (PPE)].
  7. Before installing, operating, or maintaining the system, it is important to inspect all existing wiring to ensure that it meets the appropriate specifications and conditions for use.
  8. Ensure that the PV, battery, and grid connections to the inverter are secure and proper to prevent damage or injuries caused by improper installation.

A black triangle with a white exclamation mark inside, indicating a warning.

## Warning

1. **All work on this product (system design, installation, operation, setting, configuration, and maintenance) must be carried out by qualified personnel. To reduce the risk of electric shock, do not perform any servicing other than those specified in the operating instructions unless you are qualified to do so.**
2. Read all instructions before installing. For electrical work, follow all local and national wiring standards, regulations, and these installation instructions.
3. Make sure the inverter is properly grounded. All wiring should be in accordance with the National Electrical Code (NEC), ANSI/NFPA 70.
4. The inverter and system can inter-connect with the utility grid only if the utility provider permits. Consult with your local AHJ before installing this product for any additional regulations and requirements for your area.
5. All warning labels and nameplates on this inverter should be clearly visible and must not be removed or covered.
6. The installer should consider the safety of future users when choosing the inverter's correct position and location as specified in this manual.
7. Please keep children away from touching or misusing the inverter and relevant systems.
8. **Beware!** The inverter and some parts of the system can be hot when in use, please do not touch the inverter's surface or most of the parts when they are operating. During operation, only the LCD and buttons should be touched.

## DISCLAIMER

EG4 reserves the right to make changes to the material herein at any time without notice. You may refer to the EG4 website at [www.eg4electronics.com](http://www.eg4electronics.com) for the most updated version of our manual.

# EG4 18KPV External Rapid Shutdown system.

## 1. Introduction

Many Jurisdictions require a Rapid Shut Down (RSD) system as defined in the NEC. The EG4 18KPV in conjunction with any SunSpec compliant RSD Receivers implements code compliant Rapid Shutdown.

The 18KPV has an integrated RSD initiation switch that will activate the Rapid Shutdown, but in some instances, the initiation switch must be placed in a different location than the EG4 18KPV.

This whitepaper provides instructions on how to install an external Rapid Shutdown Initiator Switch on the EG4 18KPV.

In addition, this paper describes how to tie the EG4 18Kpv rapid shutdown system in with Rapid Shutdown of a Tigo Cloud Connect Advanced

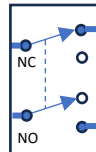
## 1. Installing an External Rapid Shutdown initiator

### 1.1 Parts Needed

- Connector Set  
<https://www.amazon.com/Jienk-5-08mm-Terminal-Connector-28-12AWG/dp/B09QZM9M1F>



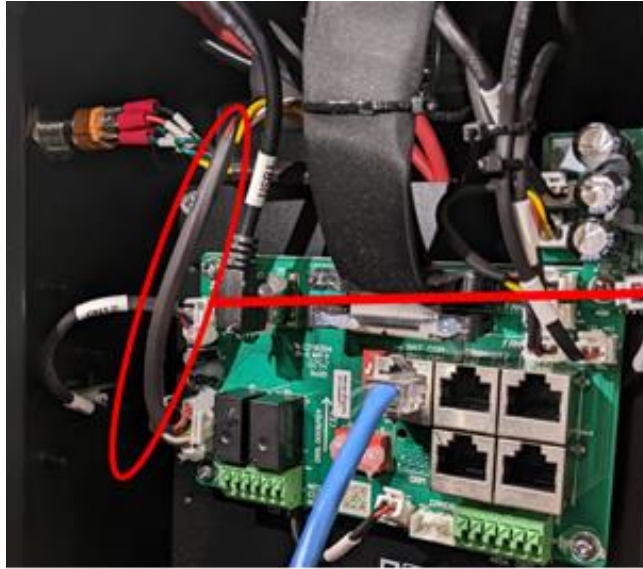
- Rapid Shutdown Initiator with one Normally Closed switch and one normally open switch



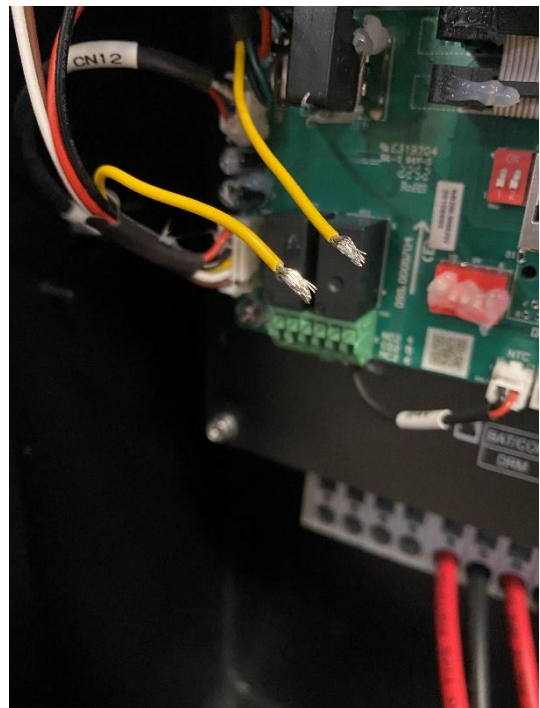
- 16AWG or larger wire

## 1.2 Installation

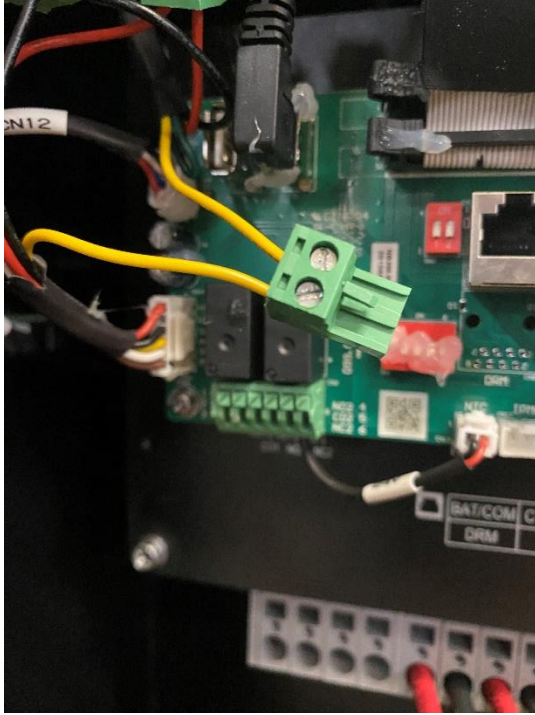
**Step 1:** Locate the wiring harness on the left side of the interface board that has the Yellow, Red, Brown, and White wire. See following pictures.



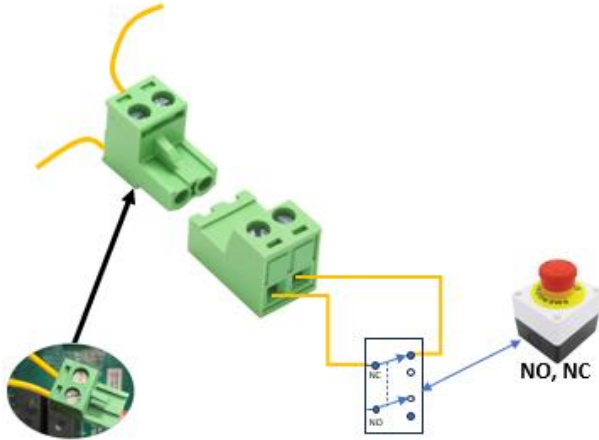
**Step 2:** Carefully cut and strip both ends of the yellow wire.



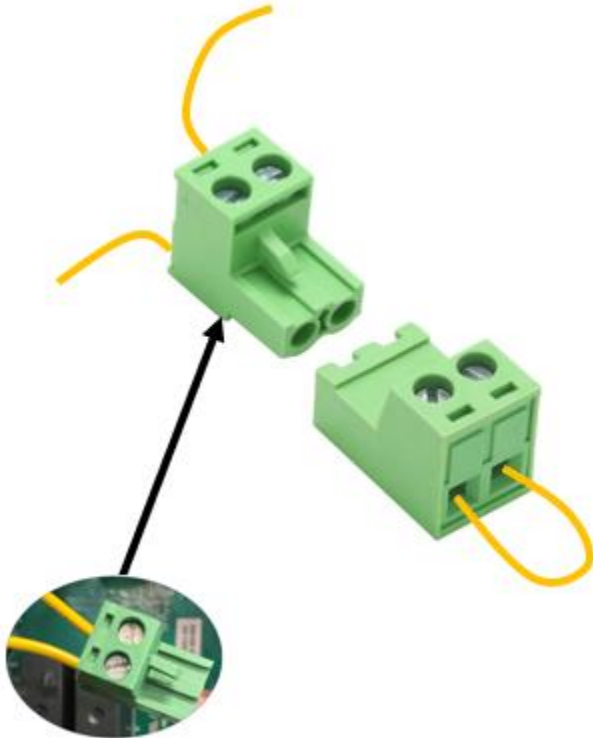
**Step 3:** Fasten both ends of the yellow wire to the connector as shown below.



**Step 4:** Connect the Normally Closed switch of the RSD Initiator to the Female Connector.



**Warning:** After these modifications, if the switch is removed or disconnected, the system will be in a constant RSD state and the PV will not power up. If it is desired to operate the system without the button, a jumper should be installed on the female connector. See photo below.



### 1.3 RSD Initiator Function

When either the integrated or external RSD Initiator is pressed, the RSD transmitter inside the EG4 18KPV will cease broadcasting the SunSpec compliant keep-alive signal. When the RSD receivers at the solar panels detect the absence of the signal, they will then open the PV circuits and deenergize the system. In addition, when either the integrated or external RSD initiator is pressed the inverter will de-energize the AC output.

## 2. Rapid Shutdown control of a Tigo Cloud Connect Advanced.

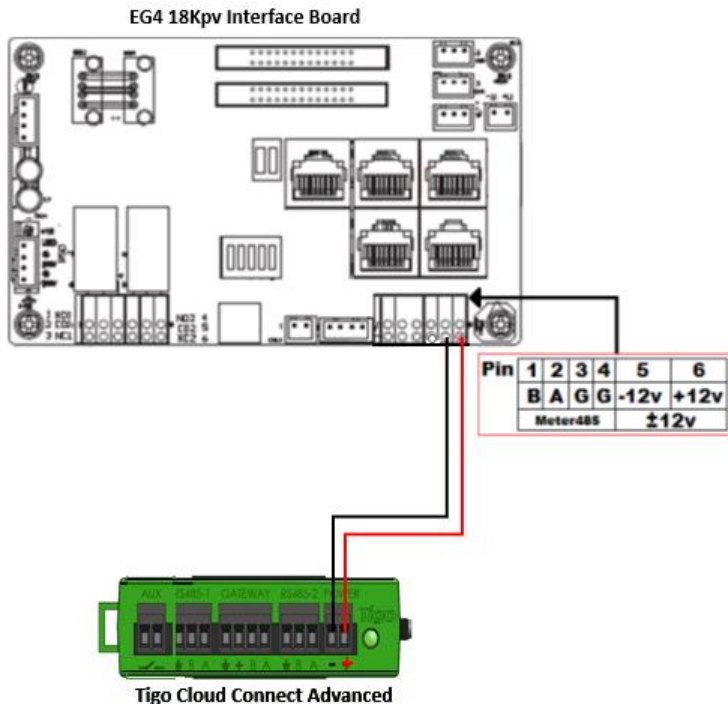
### 2.1 Introduction

Tigo PV optimizers controlled by a Tigo Cloud Connect Advanced (CCA) unit will only initiate a rapid shutdown when the CCA is powered off or is turned off. If the CCA is powered by the AC output of the inverter it will initiate a rapid shutdown when the inverter shuts down AC as part of its rapid shutdown sequence. However, with the CCA powered by the inverter AC, if the inverter ever shuts down due to low battery, the CCA will shut down and the PV array is no longer able to charge the batteries. (This is known as the Dark Start problem). To prevent this the 18Kpv can power and control the CCA and when necessary, initiate a Rapid Shutdown on the CCA.

### 2.2 Installation

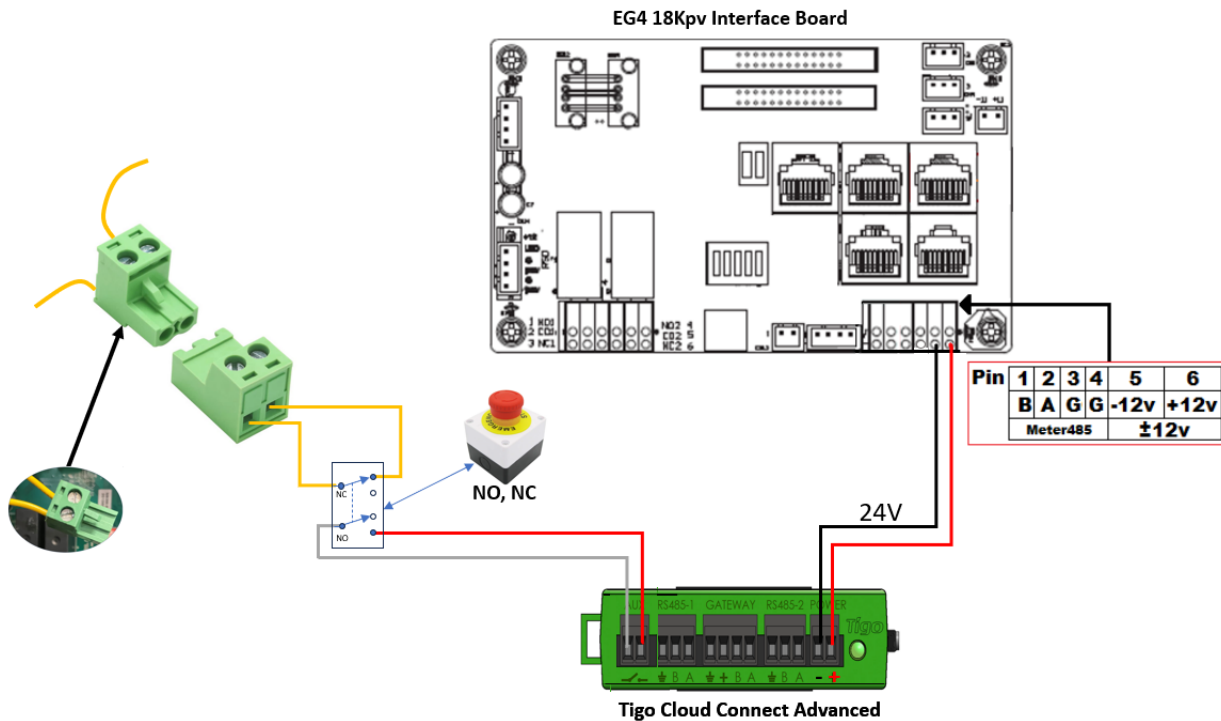
**Step 1.** Install an external Rapid Shutdown Initiator as shown in Section 1 above.

**Step 2.** Connect the CCA to the '+12V' and '-12V' ports on the 18Kpv interface board. (This provides 24V @ 1A to the CCA)



**Step 3.** Connect the CCA Aux port to the Normally Open switch in the External Rapid Shutdown Initiator as shown below.





## 2.3 Function.

When the RSD initiator is pressed it signals both the EG4 18Kpv and the Tigo CCA to initiate a Rapid Shutdown Sequence.

Note that for Rapid Shutdown Control of both the inverter and the CCA, an external Rapid Shutdown Initiator is required. The integrated RSD initiator will not initiate an RSD sequence on the Tigo Cloud Connect Advanced.

### Note:

The Tigo documentation suggest that this can be accomplished by powering the CCA from the inverter output AC using a power module. This works for Rapid Shutdown but creates a separate 'Dark Start' issue. If the batteries get low enough that the inverter shuts down the AC, the CCA will turn off the PV and the batteries will not be charged even if PV is available. With the solution above, the Tigo will remain powered until the batteries get so low the internal BMS of the battery shuts down.